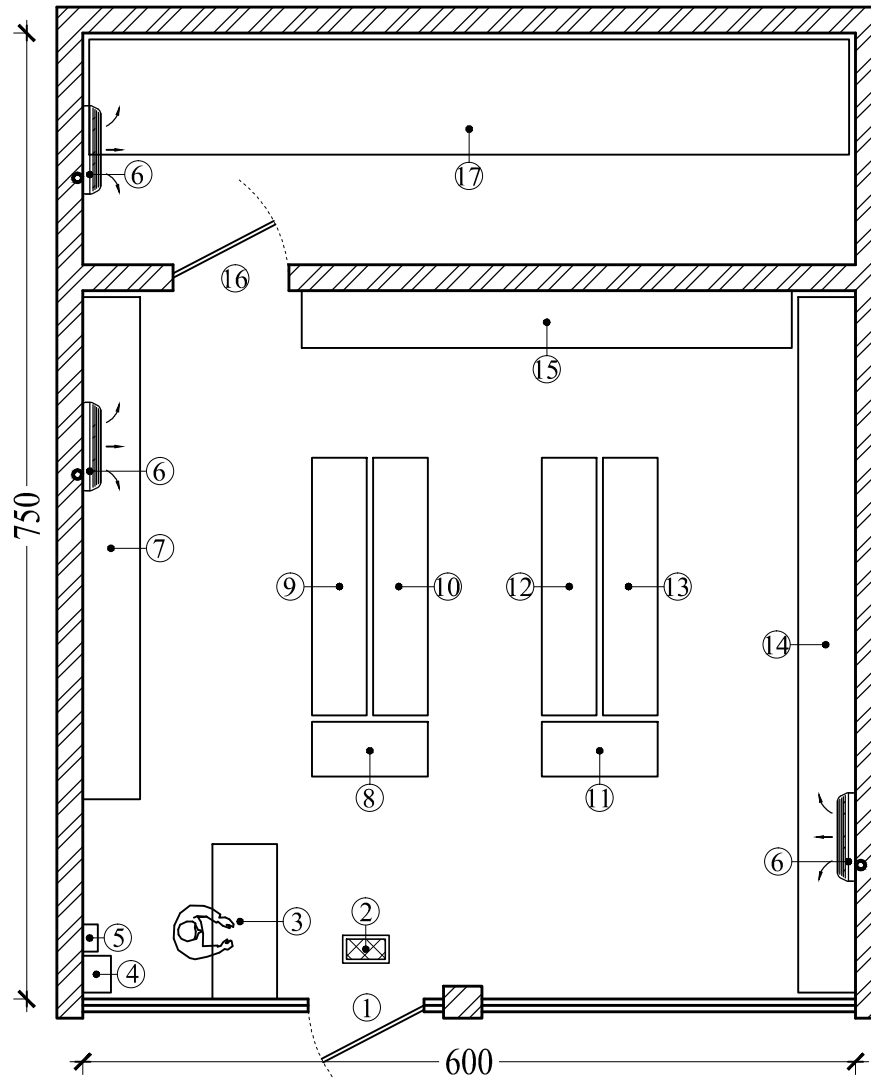


WHOLESALE CONSUMER PRODUCT

**PUBLIC HEALTH DEPARTMENT**

**RASAL KAIMAH,** -----  
**AREA = 45.00 Sq.M / 484.20 Sq.FT**



MODEL & STANDARD DESIGN OF COSMETICS TRADING

**LEGENDS**

1	ENTRANCE
2	INSECT KILLER
3	CASH COUNTER WITH DELIVERY TABLE
4	CHEMICAL STORE SHELF
5	FIRST AID BOX
6	SPLIT A/C
7	SHELVES FOR COSMETICS & HENNA
8	SHELVES FOR PERFUMES
9	SHELVES FOR HAIR CARE PRODUCTS
10	SHELVES FOR DETERGENTS
11	SHELVES FOR HERBS
12	SHELVES FOR TOBACO & SMOKING EQUIPMENTS
13	SHELVES FOR HEALTH & SAFETY EQUIPMENTS
14	SHELVES FOR BABY TOYS & GAMES OUTFITS
15	SHELVES FOR ELECTRONIC CIGARATE
16	DOOR TO STORE
17	STAND FOR HOLDING ITEMS

THE PROVIDED LAYOUT MODEL SERVES AS A -  
 REFERENCE; ENSURE THE NEW LAYOUT -  
 CONFORMS TO THE SPECIFIC PREMISE -  
 DIMENSIONS AND REQUIREMENTS.