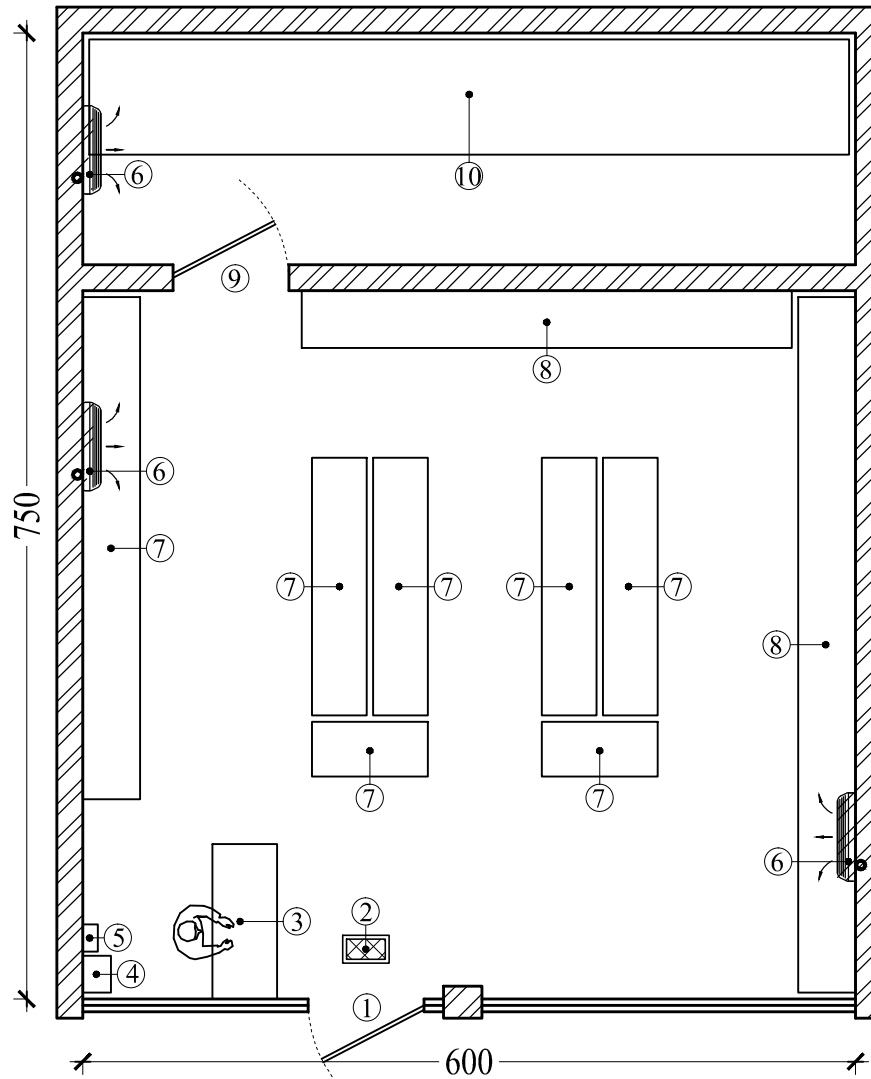


COSMETICS EQUIPMENT TRADING

PUBLIC HEALTH DEPARTMENT

RASAL KAIMAH, -----

AREA = 45.00 Sq.M / 484.20 Sq.FT



MODEL & STANDARD DESIGN OF COSMETICS EQUIPMENT TRADING

LEGENDS

1	ENTRANCE
2	INSECT KILLER
3	CASH COUNTER WITH DELIVERY TABLE
4	CHEMICAL STORE SHELF
5	FIRST AID BOX
6	SPLIT A/C
7	SHELVES FOR COSMETICS EQUIPMENT
8	STAND FOR COSMETICS EQUIPMENT
9	DOOR TO STORE
10	STAND FOR HOLDING ITEMS

THE PROVIDED LAYOUT MODEL SERVES AS A -
REFERENCE; ENSURE THE NEW LAYOUT -
CONFORMS TO THE SPECIFIC PREMISE -
DIMENSIONS AND REQUIREMENTS.